

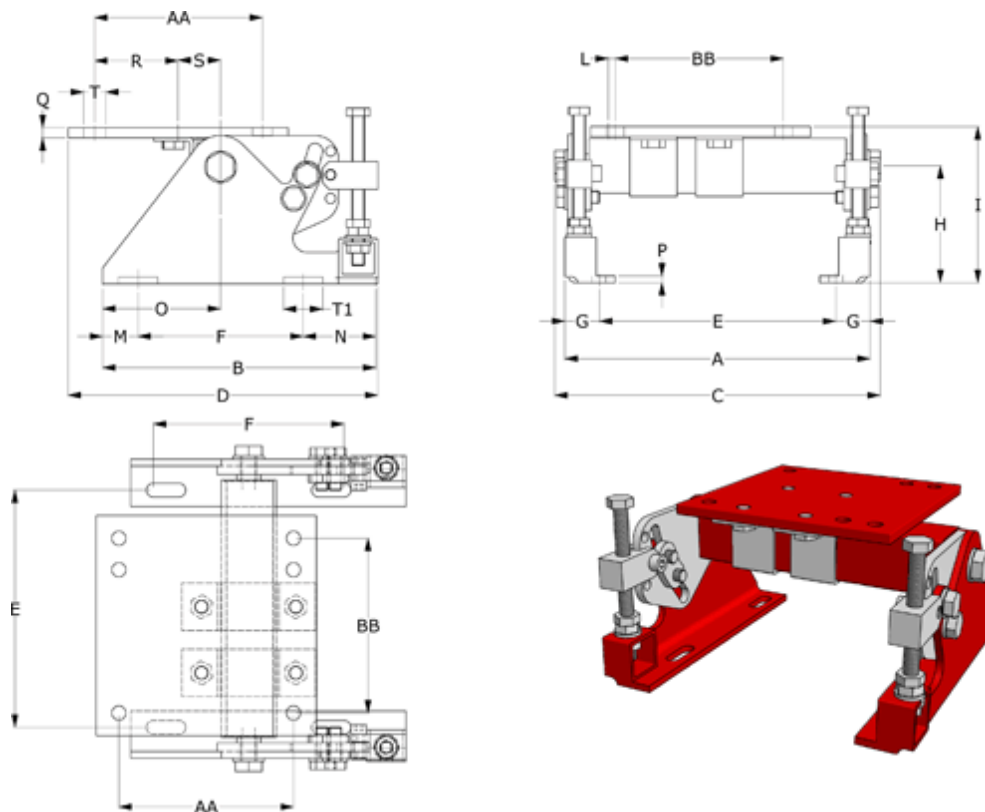
Data Sheet



Article number: 3190502251

Description: Motorbase MB 50-225 self-tensioning
for motorsize 225S/M

Measures



A	= 605	G	= 45	Q	= 16
AA	= 356	H	= 140	R	= 178
B	= 350	I	= 195	S	= 72
BB H7	= 286	L	= 7-170	T	= 4x18 mm
C	= 641	M	= 44	T1	= 18.0
D	= 488	N	= 84	Weight	= 47.0
E	= 515	O	= 160		
F	= 222 +32	P	= 10		